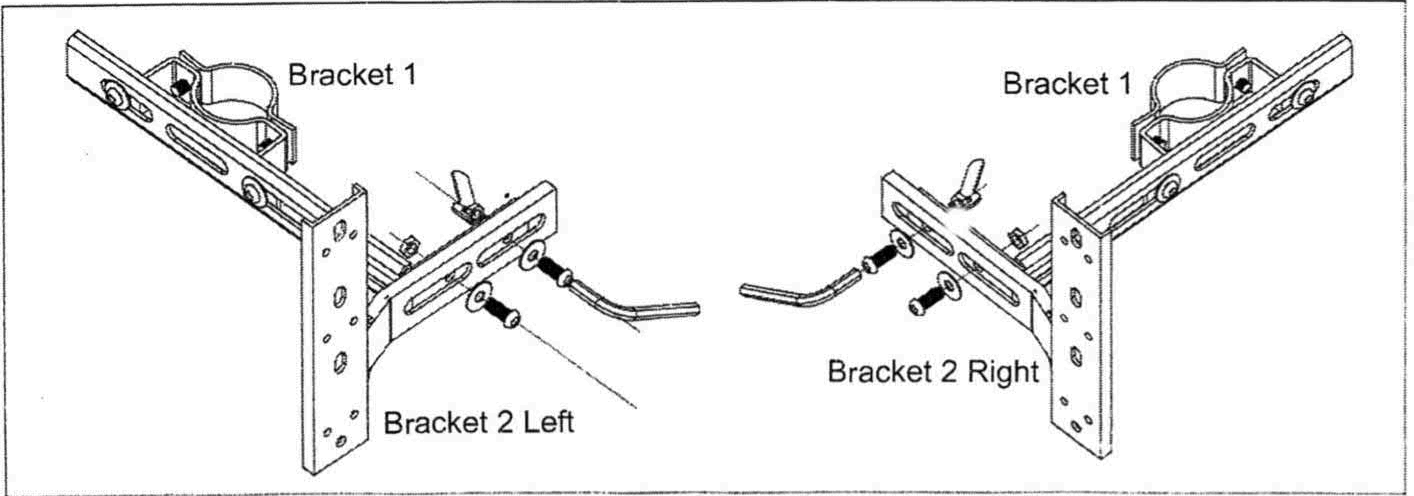
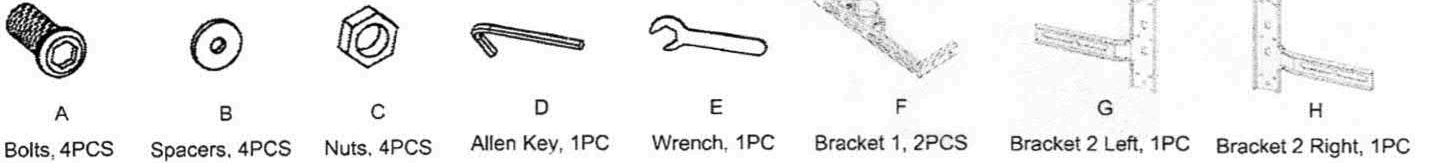
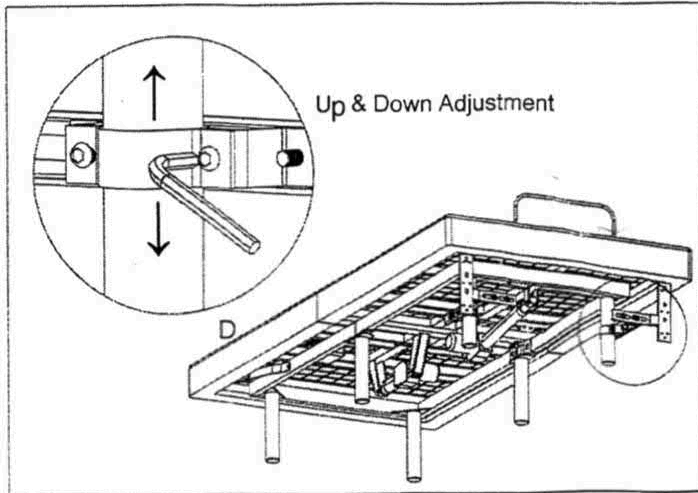


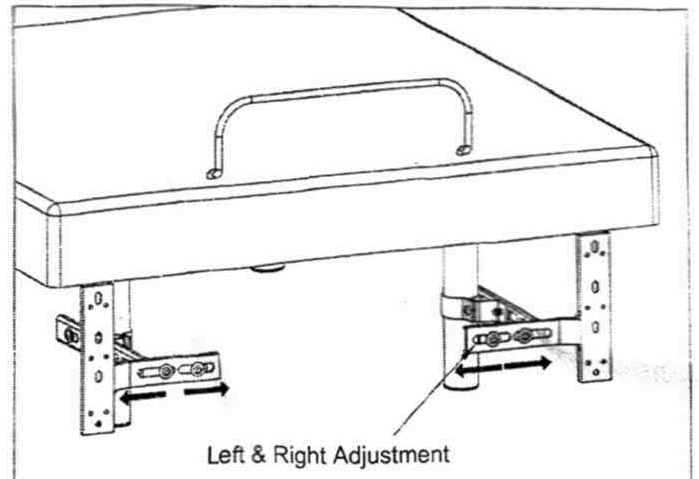
Headboard Bracket Instruction



1 Please use 2 Bolts (A) , 2 Spacers (B), and 2 Nuts (C) to connect Bracket 1 (F) and Bracket 2 (G) by Allen Key (D), but do not tighten.



2 Use the Allen Key (D) to loosen the circle clip bolts, attach the circle clip to the leg, when you adjust to the right position to fit the headboard bolts hole, tighten up the bolts again. If can't match headboard bolts hole, please move to next step.



3 Loosen the bolts as shown. Move the Bracket to match the headboard bolts hole, then tighten up the bolts.

